



US00D428452S

# United States Patent [19]

[11] Patent Number: **Des. 428,452**

Aronov et al.

[45] Date of Patent: **\*\* Jul. 18, 2000**

[54] TOP

[75] Inventors: **Michael Aronov**, 1717 N. Rainwood Cir., Unit A, Anaheim, Calif. 92807;  
**Jack Durban**, Laguna Niguel, Calif.

[73] Assignee: **Michael Aronov**, Anaheim, Calif.

[\*\*] Term: **14 Years**

[21] Appl. No.: **29/107,657**

[22] Filed: **Jul. 12, 1999**

[51] LOC (7) Cl. .... **21-01**

[52] U.S. Cl. .... **D21/460**

[58] Field of Search ..... D21/460, 463;  
446/256, 264

[56]

### References Cited

#### U.S. PATENT DOCUMENTS

D. 27,459	8/1897	Apel	.....	D21/460
D. 31,655	10/1899	Porter	.....	D21/460
D. 50,980	7/1917	Baralich	.....	D21/460

D. 108,614	3/1938	Cometh	.....	D21/460
D. 162,100	2/1951	Wee	.....	D21/460
D. 181,779	12/1957	Burelli	.....	D21/460
D. 237,521	11/1975	Tremblay	.	
D. 320,240	9/1991	Stefanou	.....	D21/460
5,122,089	6/1992	Haran	.....	446/257

*Primary Examiner*—Dominic Simone  
*Attorney, Agent, or Firm*—Sheldon & Mak

### [57] CLAIM

The ornamental design for a top, as shown and described.

### DESCRIPTION

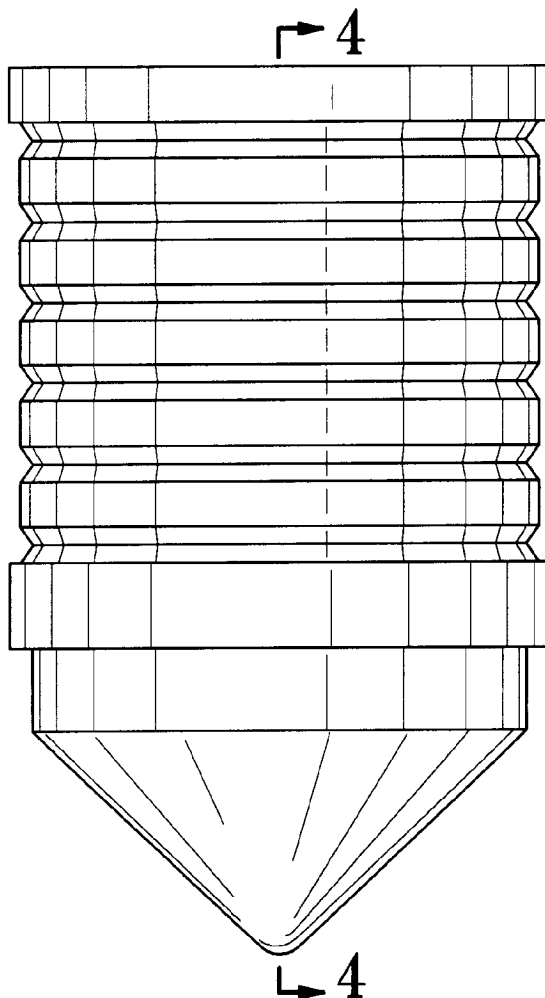
FIG. 1 is a front elevation view of a top according to the present invention, wherein the top is symmetrical about its vertical axis, such that the side and rear elevation views are identical to that of FIG. 1;

FIG. 2 is a top plan view of the top of FIG. 1;

FIG. 3 is a bottom plan view of the top of FIG. 1; and,

FIG. 4 is a sectional view of the top of FIG. 1 taken on line 4—4 in FIG. 1.

**1 Claim, 1 Drawing Sheet**



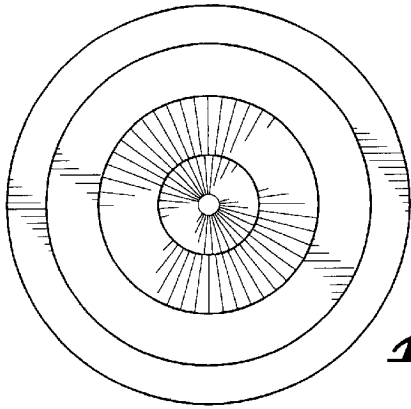


FIG. 2

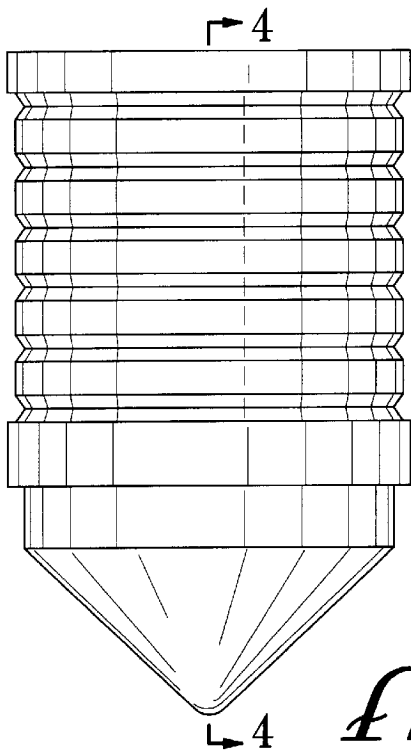


FIG. 1

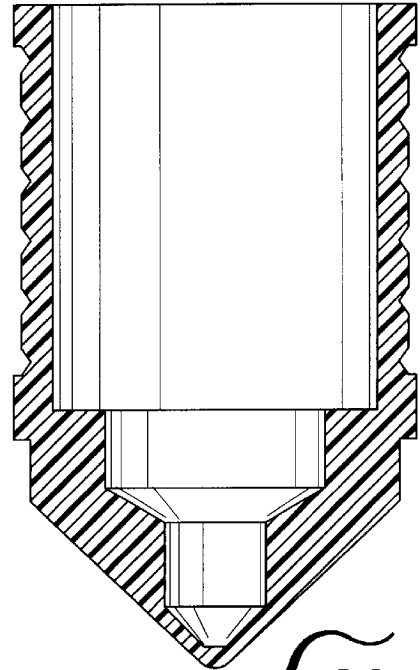


FIG. 4

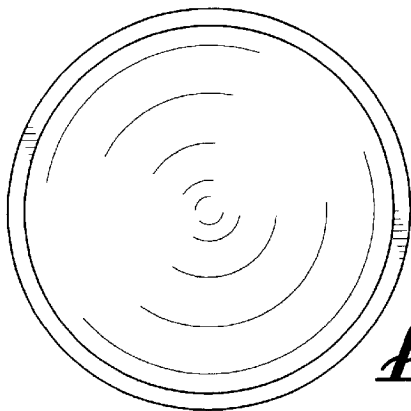


FIG. 3